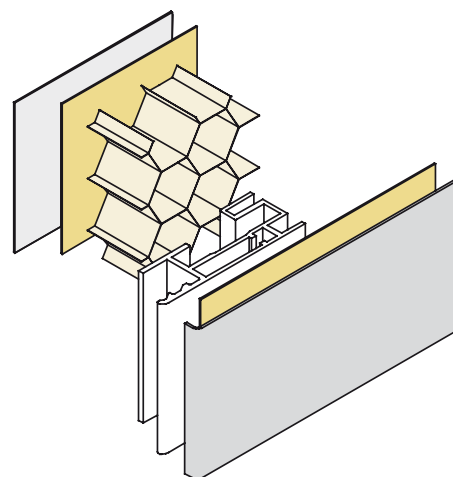




Project : Reduta, shopping mall
Location : Warsaw, Poland
Product : HunterDouglas® Façades: type QuadroClad
Quantity : 2.000 m²
Architect : E&L Project

HunterDouglas

FAÇADES



SYSTEM OVERVIEW QUADROCLAD

QUADROCLAD 25

- 25 mm thick aluminium panel system
- Capability to withstand very high wind loads
- Suitable for high-rise buildings
- Dimensions up to 1500 mm x 6000 mm
- Extremely flat panel surface
- Aluminium honeycomb composite technology
- Finishes: coil coated- and anodised aluminium and stainless steel
- Integrated support structure
- Individual panel installation
- Simple detailing
- Design freedom in panel shape and joints
- Can be used as exterior ceiling
- Integrated window and door system
- Designed to fit Sun Control systems
- Superior quality and durability
- Virtually maintenance free
- Certified wind load performance



Reduta, shopping mall

Theme: Flat and smooth

Cassette-type façade of modern shopping mall built in Warsaw is the example prestigious application adding the value to commercial building. HunterDouglas QuadroClad façade with perfectly flat and smooth surface with integrated rainwater drainage system has distinguished Reduta Shopping Mall among other surrounding buildings.